

VELOX 40000 Series

Analog Addressable Input & Output Modules



Features

- Compliant to EN54-18 for Input / Output Modules standards
- Inbuilt Isolators complying with EN54-17 standards
- Powered from the loop
- Automatic and Manual Addressing features
- Twin Bi-Color LED for Status and Fire Single
- Up to 240 devices on a single loop *

Natural choice, many applications

The VELOX 40000 is the latest technology from ATEIS, simple to install and easy to program, make the VELOX loop powered modules the preferred choice for many applications to integrate with third party equipments; such as AHU's, dampers, fans, fire fighting valves, and many other applications.

Leading edge technology

The new VELOX 40000 modules is a leading technology in alarm systems, fully microprocessor loaded, allowing five selection of input / output choices. Mainly, they are classified into three categories:

Supervised Inputs: Accepting fire or fault signals from third party equipment and reverts it back to the VELOX Fire Alarm Control Panel. Moreover, this function can be fully programmed from the VELOX fire alarm control panel.

Supervised Output: This category is to drive third party outputs by providing 24Vdc supply to those modules; such as conventional sounders, flashers, damper coils, and many other devices. The complete line is supervised for Open and Short faults, as well as the power supply feed.

Form C Relay output: This category is to drive Form

C relay outputs. Each module is supplied with two relays, operating from the same address simultaneously. These relay contacts can trigger any other third party equipment.

Zero downtime

Each device is supplied with in-built short circuit isolator, in case of a single fault; no device shall be lost on the loop. This shall not only provide higher reliability to the performance as well but also facilitates easy installation to comply with the latest standards and regulations.

Five years warranty

The VELOX clients enjoy 5 years warrantee on all the VELOX devices. An extra added advantages when installing the VELOX range of products.

Commissioning is never easier

VELOX wants to make it easy to the installer, neither dip or rotary switches are required to address the devices, nor barcode scanners or other difficult methods of installation are needed.

Automatic addressing is an added benefit to the many others of VELOX technology, where the fire alarm control panel addresses each device in a sequential manner, and makes sure that no duplicate addresses are allowed. Furthermore, when needed to assign an address in a non-sequential fashion, the manual programming via the VELOX detector programming tool is utilized.

Uniform first fix

VELOX strives to make the installation an easy task. The Uniform First Fix or "UFF" makes all the modules interchangeable on the same back box. Not only that, standard American 4"x4" can be used to flush the modules during installation, adding more aesthetic pleasing looks.

* subject to loop power calculation

Cost effective installation is an added benefit

Subject to the loop load calculations, 240 devices can be connected on the VELOX 2Km loop length using 1.5mm² cable, were all the devices are powered from the same loop. This exceptional feature shall drop the cost dramatically, and make the installation task faster and easier to achieve.

Physical construction and assembly

The VELOX range of products is constructed from a high impact, elegant ABS "RAL9016" enclosures. All the modules shares the same back box. Allowing the mod-

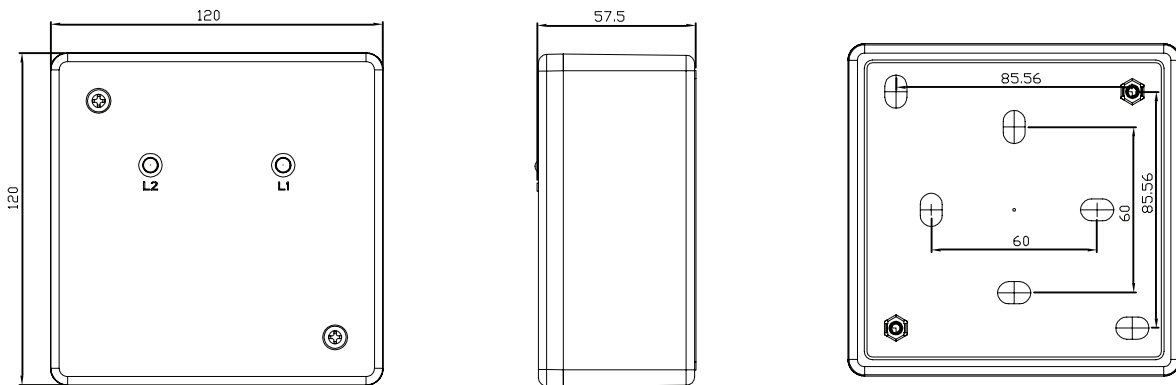
ule to be either surface or flush mounted. The choice of standard 4"x4" box allows the freedom, and space during installation and wiring, making it more convenient to the installer.

Approvals & compliance with standards

The entire VELOX systems confirm to BS 5839 part 1 and EN54 standards. The entire range of VELOX intel-ligent modules are BSI listed to EN54 standard part 17 and 18. This only means enhanced reliability and precision performance.

Dimensions

Dimension (mm)



Technical Specifications

Item	Specification Details
Standard	EN54-18 / 17
Listing	BSI listed
Fault protection	In-built isolator
Connection on the loop	loop powered
Number of devices per loop	As per load calculator
Power supply	15-40 VDC
Average current consumption	120 mA (@24VDC)
LED's current consumption	6mA (@24 VDC)
Operating temperature	-30 °C to +70 °C
Dimensions	120 x 120 x 57.5 (mm)
Weight	170 grams
Max wire gage	2.5 mm
Ingress protection	IP21

Order Codes

Part No.	Description
40100	Addressable Single Supervised Input Module
40010	Addressable Single Supervised Output Module
40002	Addressable Dual Form C Relay Output Module
40102	Addressable Single Supervised Input and Dual Relay Output
40110	Addressable Single Supervised input and output module