

Low Profile Loop Powered Sounder Base



Natural Choice, Many Application

The VELOX 40200 is the latest technology from ATEIS, simple to install and easy to program, make the VELOX loop powered sounder the preferred choice for many applications such as offices, hotel rooms, kitchens, and all other applications where localized sound alarm is required.

Leading Edge Technology

The new VELOX sounder base is a leading technology in alarm systems, fully microprocessor loaded, allowing four different tones and four different volume to be selected. Furthermore, as low as 0.8mA of current consumption, make it easy to connect 240 sounder base along with 240 detectors.

Farther Sound Propagation

With a unique design, the VELOX sounder propagates the sound along the surface of the ceiling installed to it. This unique design feature, allows longer throw and sound propagation over a wider installed surface.

More Addresses Are Spared

The VELOX sounder technology does not require any address to be assigned to it. Once connected to the loop, the sounder processor communicates with the VELOX fire panel and assigns a sub-address from the installed sensor.

Aesthetically Pleasing

Enormous engineering efforts have been put into the design of the new VELOX sound base, pushing the limits to achieve a remarkable slim design. Only 31mm in height, makes the new sounder a low profile that is recommended by many architects.

Features

- Compliant to EN54-3
- Low current as low as 0.8 mA
- World's slimmest Sounder Base
- Powered from the loop
- Individually controlled
- Does not consume any address

Single Base, Many Functions

The new VELOX sounder base, can as well extend the function of the remote alarm to the detector; hence a remote indicator can be connected as well, which shall be activated along with the sounder.

Simple Programming, Powerful Functions

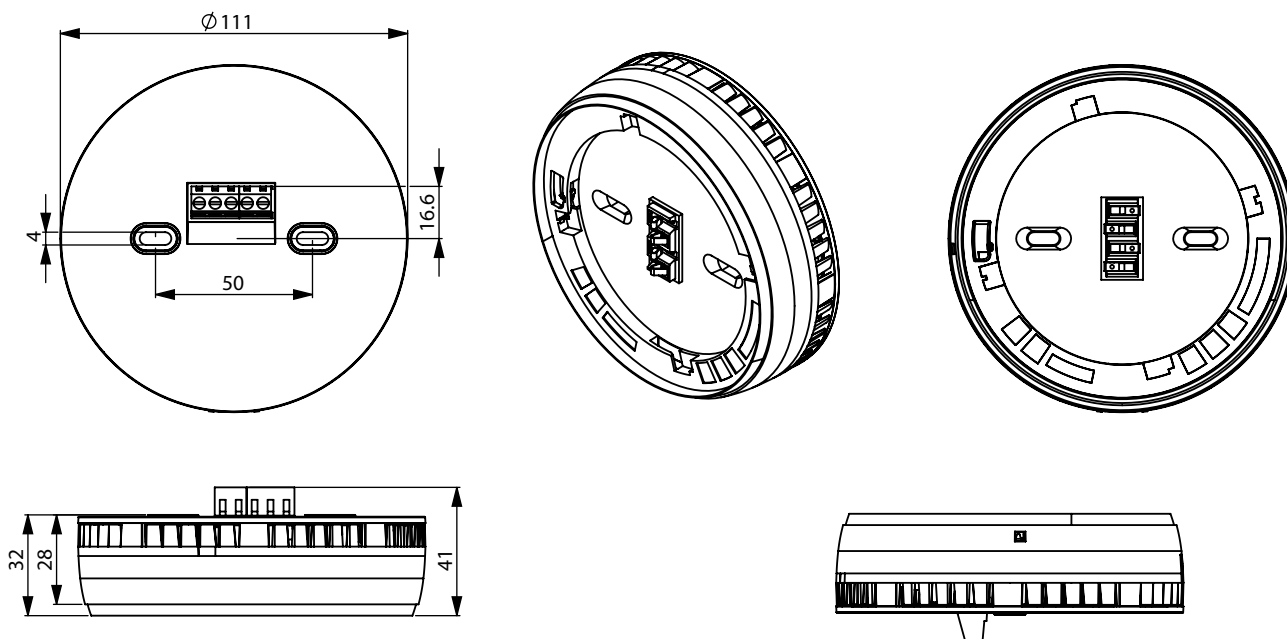
The new VELOX sounder can be programmed individually, even if the alarm is not originated from the sensor connected to it. Thanks to the VELOX enhanced panel programming features, each Sounder Base can have its own group that can be programmed to different cause and effect scenarios.

* Special module is required, please contact your authorized dealer.

ATEIS Middle East FZCO.

LIU No.11 Dubai Silicon Oasis
P.O. Box 293640 Dubai United Arab Emirates.
Tel. +971 (4) 3262730 - Fax. +971 (4) 3262731
info@ateis.ae, www.ateis.ae, www.velox.ae

Dimensions



Technical Specifications

Item	Specification Details
Standard	EN54-3
Power Supply	From 15 Vdc (Min) to 40 Vdc (Max)
Alarm Current Consumption	1.3m –4.5mA (varies on selected volume setting)
Operating Temperature Range	-20 to 60 °C
Humidity	95% RH (non-condensing)
Number of devices on the loop	240 sounder base
Sounder SPL Levels (dBA@1m)	73-92 (Varies with tone & Volume Setting)
Ingress Protection	IP21 C
Dimension	111 Dia (:mm), Height 31.5 (:mm)
Weight	145 g
Color	RAL 9016 as standards , Decorative colors on demand optional

Order Codes

Part No.	Description
40200	Loop Powered Sounder Base