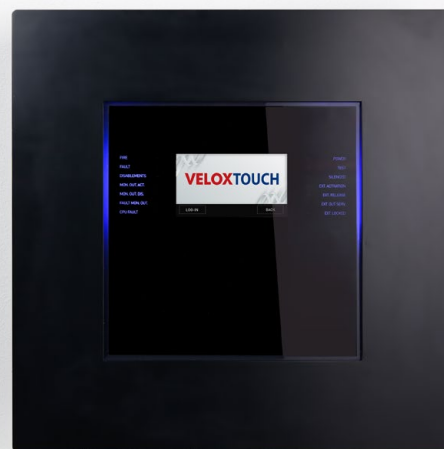


VELOX 5000 Series

Touch Fire Alarm Control Panel



New Era of Fire Alarm Detection

VELOX TOUCH is marking a new era of innovation in fire detection and alarm system technology. Fully integrated with the VELOX range of devices and protocol, it surpasses the performance of any conventional addressable panels in the market by far. Based on state of the art 32-bit microprocessor technology, the VELOX TOUCH can communicate swiftly over a 5Km loop length, fully loaded with 240 loop devices. The TOUCH user interface enhances the user's experience by making navigation through menus, programming and response times swifter, easier and more effective.

Don't just read; TOUCH !

Today, interacting with TOUCH is part of everything around us and everything we do. Fire Alarm Control Panels should not be any different. VELOX TOUCH is not just a user interface; it is the graphical representation of commands, functions, and important information on the Fire Alarm Control Panel. All the commands and information are presented in a choice of four major colours. All the devices, zones, commands are presented using simple graphical pictures, which increases the ease of use. Additional peace-of-mind comes through the panel's four levels of user passwords. These ensure that only qualified people can access and make changes to the system making it fully compliant with the EN54 part 2 requirements.

Main Features

- 32-bit microprocessor addressable control panel.
- One loop expandable up to 9 loops in the same compact enclosure (410X410X120mm)
- 240 devices per 5Km loop length*
- Manual addressing using hand-held programmer
- Auto learn features
- Clear graphical presentation of commands and device status
- Up to 192 Logic Functions between devices, and panels.
- Loops can be configurable as open or closed.
- Customizable Graphic touch screen display (480x272 TFT 4.3")
- Up to 32 panels on VELOX fault tolerant network.
- Aesthetically pleasing coloured LED panel lighting
- 56 zone LEDs. (OPTIONAL board).
- Loaded with ten languages, including Arabic, English, and Turkish
- Fully EN54 part 2 & 4 Certified.
- Five year guarantee

Language Friendly Innovation

With VELOX TOUCH the user has a bundle of 10 languages to choose from, even the most difficult characters displayed on the advanced touch panel. Easy of communication is the main mission of VELOX research and development team, making communication with the user much a simpler task.

Advanced Architecture, means low-cost installations

Each loop connected to the VELOX TOUCH panel can accommodate up to 240 VELOX devices in any combination. The panel utilises the robust VELOX protocol that can extend up to 3500m using 1.5mm² fire rated cables**. Each loop can support all VELOX devices with isolators allowing ease of finding fault and protecting the other devices in case of a single failure.

Advanced Software Features

The VELOX TOUCH support up to 192 zones, each zone can be a collection of different devices based on the cause and effect programming. The new era panel as well can support up to 192 logical functions "AND, OR, NOR, XOR" between the different devices on the same loops, and between different loops and panels. This advanced feature can make programming of the most difficult cause and effect an easy task. The firmware can support customizable logo, colour, and multicoloured side LEDs allowing the panel to fit the user's taste in aesthetics.

Solid networking, means solid communication

The VELOX TOUCH can communicate to 32 panels on a fault tolerant ring network. The distance between one panel and another does not exceed 1Km. The VELOX TOUCH panels utilise CAN bus as a network protocol. This rigid protocol proven highest standards of communication in an automobile, and aircraft industry. It is proven excellent resilience to noisy environments in industrial application.

Easy to program

The VELOX TOUCH addresses all the devices electronically. No dip-switches, or rotary switches, or bar-code scanning is required. This feature not only makes the programming faster and easier, it also can provide a safe-addressing topology to the devices on the loop. All sounder tones, flasher speeds, day and night sensitivity settings, holiday setting, automatic commissioning test, unlimited time delays, alarm duration, pre-alarm commissioning, double knock events, special event linked programs, to name few of this powerful commissioning capability.

Maintenance is now easy

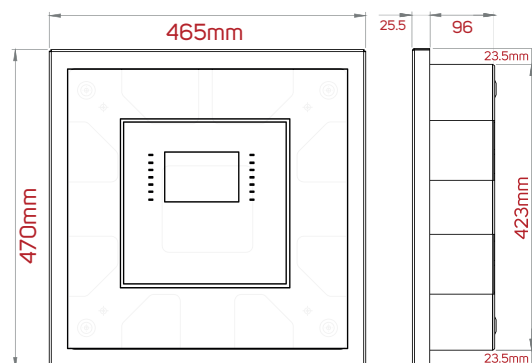
Effective maintenance, is in fact, the most important function of after sales service that VELOX strives to provide to its clients. Now detector alerts appear in a graphical, colourful presentation rather than written format. A White detector means clean; Green means some dirt is identified, Yellow means an increased the level of dirt, and finally Red means replace the detector. While the VELOX detectors are already equipped with drift compensation and patented double dust trap; easy to identify maintenance support is the key feature of VELOX TOUCH. In addition, all the other main functions such as disabled devices will appear in the much easier to understand graphical presentation. Finally, over 850 events storage, will make the panel ready to accommodate a lengthy history of events for the user to scroll between.

VELOX CLOUD new era of commissioning

With VELOX CLOUD, the commissioning now is more innovative. The panel has different modes of programming capability, such as USB import, and direct programming from the touch screen; VELOX innovated CLOUD based programming, allowing the engineer to program the panel over the cloud saving time and visits to site.

Flushed Frame Kit

An optional Flushing Frame Kit developed exclusively by VELOX Engineering team makes the already good-looking panel more aesthetically pleasing.



TECHNICAL DATA

| Feature | Description |
|---------------------|-----------------|
| Primary voltage | 230 Vac / 50 Hz |
| Primary consumption | 300mA ~ |
| 230V~ fuse | F4Ah |

FUNCTIONAL FEATURES

| Feature | Description |
|---------------------------------------|-----------------------------------|
| Operating keyboard | Touchscreen |
| Optical messages | Led |
| Acoustic messages | Buzzer |
| Visualisation of the events | 480x272 TFT 4.3" |
| Serial output for PC | N° 1 – RS232 |
| Event log | Max. 850 |
| Working mode | Guarded/Unguarded |
| Programming/Management hardware key | Multilevel password |
| Number of analogue lines | One loop is Expandable To 9 loops |
| Exclusion of the analogue line | Single – multiple |
| I/O Modules / Detectors for each line | Max. 240 |
| Programming type | Manual or by PC |
| Configuration of the analogue line | 192 software zones |
| Analogue lines connection | Open or closed loop |
| Length of the detector lines | Max. 5000m* |
| Type of cable | Shielded |

ELECTRICAL FEATURES

| Feature | Description |
|--------------------------------------|------------------------------------|
| Minimum operating voltage | 21.6 V |
| Backup batteries | n° 2 (12Vdc/17Ah or 12Vdc/7.2Ah) ~ |
| Available current for external loads | 500mA |
| Standby absorption | 300 mA – 12V |
| Monitored sounder line | Max. 500mA – 27.6V DC |
| Fault relay | Max. 1A - 30V DC/120V AC |

MECHANICAL FEATURES

| Feature | Description |
|----------------------------|--------------------|
| Protection level | IP30 |
| Cabinet | Iron |
| Dimensions (WxLxD) | 410 x 410 x 120 mm |
| Weight (without batteries) | 6 Kg |
| Painting | Epoxy resin |
| Color | Black, white |
| Conduit holes | 4 x 25 mm |

ENVIRONMENTAL FEATURES

| Feature | Description |
|-------------------------------|---------------|
| Storage temperature | (-40 ÷ +70)°C |
| Operating temperature | (+5 ÷ +35)°C |
| Operating humidity (relative) | 90% |

Ordering Part Codes

| Part No. | Description |
|-------------|--|
| VT5000 | One Loop VELOX TOUCH Fire Alarm Control Panel (1-3 loop max) |
| VT5000+ | One Loop VELOX TOUCH Fire Alarm Control Panel (1-9 loop max) c/w additional Power Supply |
| VT-Net-Card | VELOX – CAN bus network card |
| VT-IP-Card | VELOX TOUCH LAN card |
| VT-Zone-56 | 56 Zonal expansion card |
| VT-Loop-2 | 2 Loop expansion card |
| VT-PSU | Extended Power Supply Unit |
| VT-Frame | Flushed Frame Kit |

*loop length depends on the load calculation and the mix of devices connected to the loop.

**Loop cable type and size effect dramatically the network and loop length. Please refer to the installation manual for more information