

Intelligent Analogue Addressable Manual Call Point

The Analogue Addressable 40800 Manual Call Point is part of the ATEİS innovation in Fire Detection, embedded with the VELOX digital protocol, state of the art microprocessor that provide high reliability and fast response time in less than 2 seconds.

Features

- Complies to EN 54-11:2001 & EN 54-17:2005
- High reliability communication protocol
- In-built short circuit isolator
- Automatic & Manual addressing features
- 240 devices up to 2Km per loop
- Inbuilt diagnostics, hardware and software.
- Extreme elegance

Application

The high end finish provides the product with complete elegance for surface and semi-flushed installations. Designed with precision, the 40800 Addressable Manual Call point can be tested using a single type of key that provides convenience; to the user, during testing and commissioning.

The 40800 is connected on the same ATEİS Fire loop, and more than 240 devices can be dropped on a loop length of 6Km.

The 40800 comes in different finishes and colors including Weatherproof 40801 finished to IP67.

Physical Construction And Assembly

A modern stylish design provides greater aesthetic appeal. The curved features of the 40800 range blend in with today's modern architectural style. Constructed from high impact Red ABS, the 40800 delivers a true reliable and rigid analogue addressable manual call



point that complies with the latest EN54-11.

The one test key functions, without breaking any glass comply with the latest EN54-11 requirements.

The Unit is delivered with many options of Yellow, Green and Blue Colors to confirm to the different application where 40800 is used.

The 40801 Analogue Addressable Manual Call point is design for high end weather proof requirements, with its compact size, yet able to achieve up to IP67 of ingress protection.

The standard dimensions of the 40800, makes it perfect fit with standard UK deep back box, and hence provides the installer peace of mind installation. Nevertheless, the unit is delivered with testing key and back box to fit.

The unit can be installed surface mounted or even semi-flushed using the flush frame accessories.

As all the VELOX range of products; are equipped with bicolor LED that can provide multiple modes of operation, including Presence, Fault and Fire Conditions.

Technology

The 40800 and 40801 Analogue Addressable Manual Call Points are designed with the latest digital protocol "VTC" by ATEİS. This new technology allows the data packets to be transmitted on the Fire Detection Loop for along distances and dose not gets affected with the Cable Characteristics. This technology shall help a healthy communication at the worst site installation conditions, or even during the severe fire emergencies.

As any other VELOX device, the 40800 and 40801 are equipped with inbuilt isolator that protects the loop from short circuits on either side. This only means more reliable communication and compliance to the latest standards and regulations.

The 40800 and 40801 are embedded with a microprocessor that provides monitoring to the hardware, software and the communication between the device and the panel.

The unit is equipped with bicolor LED, that shall operate in continuous and blinking modes with both (Red / Green) colors and provide valuable information to the user in terms of operation. Modes like Fire Conditions, Fault and even presence are an easy task for the VELOX technology.

The VELOX technology is equipped with the latest surface mounting technology that not only enhances the space and size, however conserve energy and power consumption and hence up to 240 devices can be connected on the same two core cable and up to 6Km of loop length with cross section of 1.5mm². This only means cost effective installation that saves both cost and time.

All the 40800 and 40801 are soft addressed; hence the panel shall provide sequential addresses to the unit without the need of rotary or dip switches to set the addresses. Apart of Soft Addressing; by using special tool; the ATEİS MCP can be Safe Addressed, this feature allows the user to set new addresses; not necessary in the same sequence, this excellent feature shall allow addressing to match site conditions or even allows the user to add more detectors on the loop.

Approvals & Compliance With Standards

The entire VELOX systems confirms to BS5839 part 1 & 4 and EN54 standards. The 40800 and 40801 both comply with the latest EN54 part 11. This only means enhanced reliability and precision performance.

Architectural & Engineering Specifications

The unit must be the ATEİS Model 40800 or 40801 intelligent analogue addressable manual call point. Fully complying with EN54-11 and both models can be connected on the same two core loop and loop powered. Up to 240 devices can be connected on the same loop for a length of 6Km. The device shall be equipped with the latest state of the art microprocessor which shall hold the fire algorithms, hardware and software monitoring capability.

The microprocessor shall have the intelligence to announce the alarm directly to the fire alarm control panel in case if the MCP is called for alarm. This

process shall not take more than 2 second in total.

The unit shall be embedded with the "VTC" Variable Time Communication protocol from ATEİS, this shall allow the safe and fast communication between the device and the Fire Alarm Control Panel, this makes it possible to run the detection loop for 6Km, a technology that provides the ATEİS Fire Alarm Control Panel a unique advantages over all Constant Time Based Systems. The "VTC" as well protects the data packets while transmission, making the protocol suitable for industrial application where high Electro Magnetic pollutions exists.

The Microprocessor shall allow Soft Addressing Features, this allows the Fire Alarm Control Panel to provide automatic sequential addressing on the Fire Alarm Loop, making the commissioning an easy task, hence no dip or rotary switches are required to set addresses. The 40800 and 40801 are Safe Addressed via a special tool. This allows the user to assign an address to the loop even if it's not in sequence. This advanced feature is useful in case an addition address is required after the Automatic Soft Addressing. The Fire Alarm Control Panel makes sure that no double addressing is permitted on the loop and a fault condition is announced in such a case.

Each unit is equipped with inbuilt isolator controlled by the microprocessor to protect the loop against short circuits from either directions and make sure that no device is lost in case of a single short circuit on the loop.

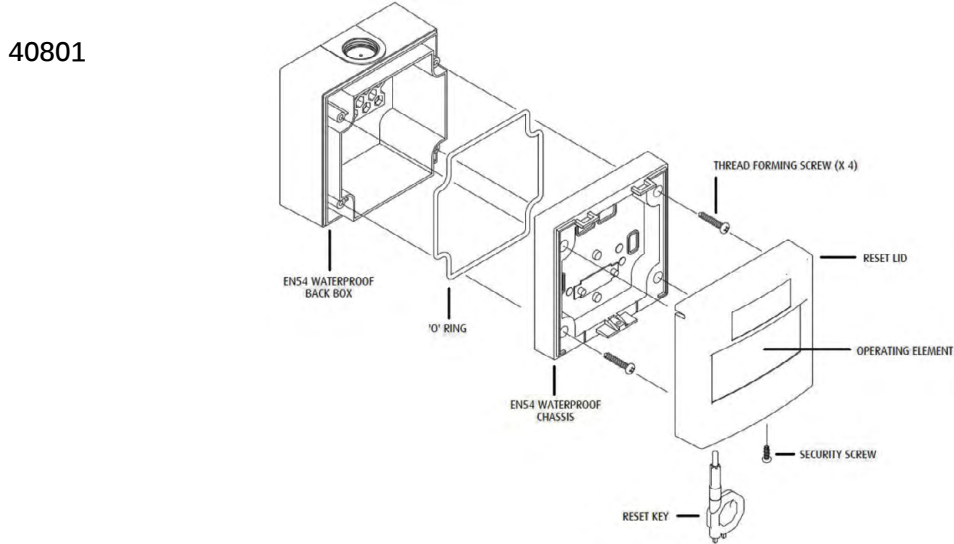
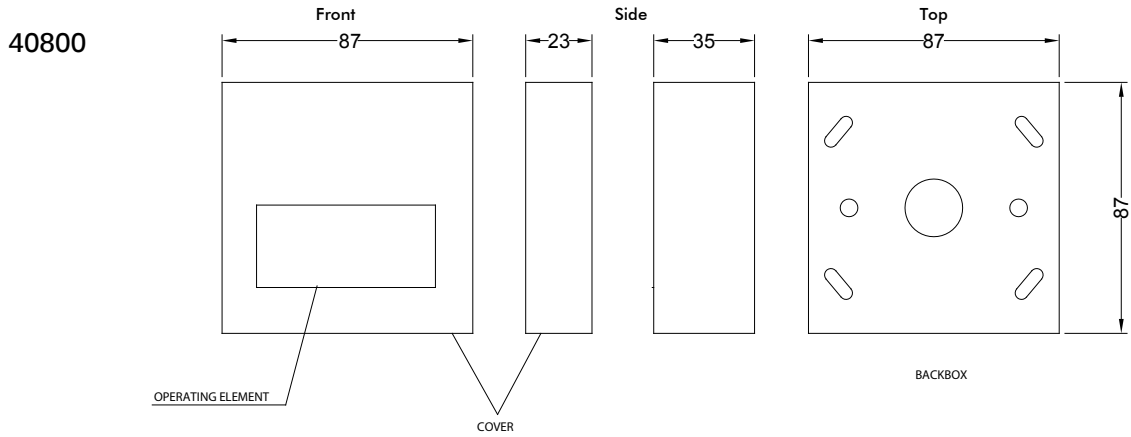
The Device

shall be tested by using a universal test key; the key shall be used as well to open the unit for commissioning purposes. The unit shall be tamper proof, this means without the proper test key the unit can't be opened and a fault indication shall be indicated on the Fire Alarm Control Panel.

The 40801 is designed for outdoor application with Ingress Protection up to IP67; this allows the unit to be installed in true waterproof and outdoor application where water and dirt might be projected to the unit.

The 40800 as well is delivered in different colors to conform to the different applications such as Door Emergency Push Buttons or other application in different colors, such as Yellow, Blue and Green.

GENERAL OVERVIEW



40800
Intelligent Addressable Manual Call Point

LPCB 1154h

40801
Intelligent Addressable Manual Call Point Weatherproof

KM 658712

40802
Intelligent Addressable Manual Call Point double action cover

Technical Specifications

Item	Specification Details	
	40800	40801
Standards	EN 54-11:2001 & EN 54-17:2005	
Approval	LPCB	
Protocol	ATEIS Advanced "VTC" Variable Time Communication	
Loop Connection	2Km per loop	
Number of devices per Loop	240 devices per loop	
Storage Temperature	-10°C to +55°C	-30°C to +70°C
Operating Temperature	-10°C to +55°C	-30°C to +70°C
Operating Humidity	95% non condensing	
Ingress Protection	IP42	IP67
Vibration	5 to 60Hz	
Color	Red RAL3001 standard Other colors Yellow, Blue and Green	
LED	Bicolor (Red / Green) visible at 500lux ambient light at 1.4m height from finished floor level	
Average Current consumption	70µA	
Power Supply	15-40V	
LED current consumption	6mA @ 24Vdc	
Weight	110g flushed - 160g surface	240g
Dimension (mm)	H87 x W87 x D35mm	H90 x W89 x D72mm

Order Codes

Part No.	Description
40800	Intelligent Addressable Manual Call Point
40801	Intelligent Addressable Manual Call Point Weatherproof
40802	Intelligent Addressable Manual Call Point double action cover