

# VELOX 30340-W-2.4-8 / 30341-W-2.4-8 / 30340-C-3-8-White

EN54-23 Approved External Powered Indoor/Weatherproof Wall Mounted and Ceiling Mounted Addressable Beacons



30340-C-3-8-White



30340-W-2.4-8 / 30341-W-2.4-8

## Technology

The Velox 3034X EN54-23 Approved external Powered Beacon is a part of Velox 30000 family of products. The VELOX 30000 Addressable range of Sounder-Beacons & Beacons with state of the art microprocessor controlled technology. The new range of 30000 devices are fully addressable by VELOX range of control panels, provided with in-built isolators to enhance reliability, and powered externally either from the VELOX range of control panels or any EN54-4 approved external power supply.

The new 3034X range of devices approved to EN54-3, EN54-23 and EN54-17.

Up to 240 devices of the 30000 series can be connected on the VELOX 2Km loop length using 1.5mm<sup>2</sup> cable. All the 30000 range of devices Externally powered, which means more devices connected to the same fire detection loop. This exceptional feature shall drop the cost dramatically, especially in an application like car-parks where many beacons are required to be installed on the same fire alarm loop.

## Features

- 240 Devices on Single Loop
- Automatic or Manual Addressing functions.
- Built-in Short Circuit Isolator and EN54-17 certified.
- EN54 part 23 approved.
- High-Intensity White Flash
- 0.5Hz and 0.1 Hz flash rate available via the DIP switch
- Deep-Base IP65 versions
- Separate Wall & Ceiling mount versions as per EN54 requirements
- Features base locking system as standard
- Body colour options available – red and white
- Unique twist and lock bayonet mounting system

## Approvals & Standards

The Velox 3034X beacons products comply with the following British and European standards. EN54-23 and EN54-17

## 5 Years Warranty

The VELOX clients enjoy five years warranty on all the VELOX devices. An extra added advantages when installing the VELOX range of products.

### Commissioning is never easier

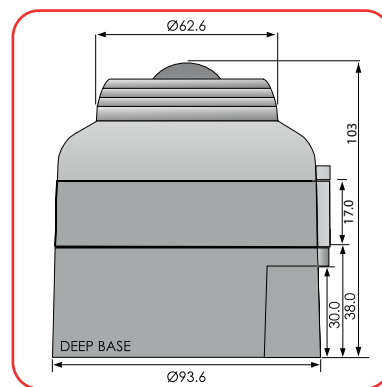
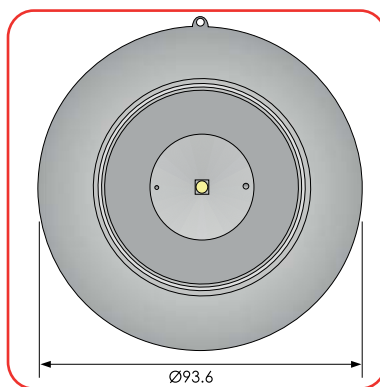
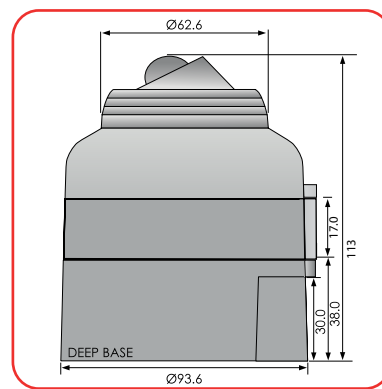
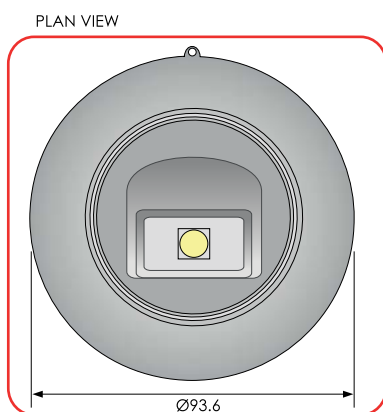
VELOX wants to make it easy for the installer, neither dip or rotary switches are required to address the devices, nor barcode scanners or other complicated methods of installation are needed.

Automatic addressing is an added benefit to the many others of VELOX technology, where the fire alarm control panel sequentially addresses each device and makes sure that no duplicate addresses are allowed. Furthermore, when needed to assign an address in a non-sequential fashion, the manual programming via the VELOX detector programming tool is utilised.

### Applications

The VELOX 3034X series of loop powered addressable Beacons used in many application such as hotel rooms, corridors, malls, carparks, electrical rooms, and many other applications where high flash and sound intensity is needed.

### Product Overview & Dimensions



## Technical Specifications

Voltage Range (Vdc)	18-30, Externally Powered
Temperature range ( C)	-20 to +70
Flash Rate	1Hz (approved)
Addressing	Automatic or Manual
Max Current (mA) @ 24VDC	8.3 - 30.8
Fault Protection	Inbuilt Isolator
Material	ABS fire retardant plastic
Protection Rating	IP65C (DEEP BASE)
Boxed Weight (kg)	.029kg
body colours	Red for Wall Mounted and White for Ceiling Mounted
lens colours	White flash

## Order Codes

30340-W-2.4-8	External Powered Addressable Indoor Wall Mounted Beacon
30341-W-2.4-8	External Powered Addressable Weatherproof Wall Mounted Beacon
30340-C-3-8-White	External Powered Addressable Indoor White Ceiling Mounted Beacon