

VELOX VCS650-FD-STR-EN

6.5" Ceiling speaker, 6 watts, certified EN 54-24, BS 5839 compliant, IP21C, with Fire Dome & Strobe.



Description

The 6W powered speaker is equipped with a 165mm full-range loudspeaker chassis and a 100V transformer with 3 power adjustments. In addition, the loudspeaker has a LED strobe flashlight that, in a new version with 14 candela, delivers almost 3 times brightness. This very high-performance white LED provides 1.400 lux at a distance of 100mm and a flashing frequency of 75 flashes per minute. With 18 lumens of light and a wide beam angle (75°), the strobe flashlight provides bright and uniform area illumination. Operating voltage of the flashing light 24 VDC, current consumption max.: 9 mA. The powder-coated metal housing with perforated grid cover in RAL 9010 guarantees long-term durability. A 2 pin-ceramic block and a thermal fuse provide additional reliability. The speaker chassis is impregnated against wetness.

The speaker offers protection class IP 21C against the security risks of environmental influences. Quick and easy mounting with spring clamps and short tension distance. The connecting cables can be supplied by rubber grommets in the fire dome. The speaker is compliant with the British Standard BS 5839, Part 8. Special paint of the speaker in 4-digit RAL- or NCS-colour available at extra cost. The fire dome is included in the delivery.

This speaker is suitable for a ceiling strength of approx. 2-45 mm. Our specification is primarily related to solid ceilings. An increase in the ceiling depth could be necessary for ceilings with softer materials. Stronger cables and other fittings may also result in changes to the general setup. With regard to the variety of materials and manufacturers, we recommend installing a speaker sample in the ceiling first to define the exact requirements.

- quick mounting
- shock-resistant housing
- LED strobe flashlight

Standard & Approvals

VELOX loudspeakers are tested and classified according to the IEC standard 60529 (degree of protection by enclosure) against the penetration of foreign objects and moisture.

The classification is conforming to standards through characterization with a fixed code. This code consists of the letters IP (International Protection) followed by two digits.

The first digit indicates the degree of protection against dust and the second digit the degree of protection against water. Please note that the testing of the products has been carried out in laboratory conditions which are not always 100% comparable with the conditions of different installation environments. This protection can be reduced due to normal wear and tear depending on the installation environment.

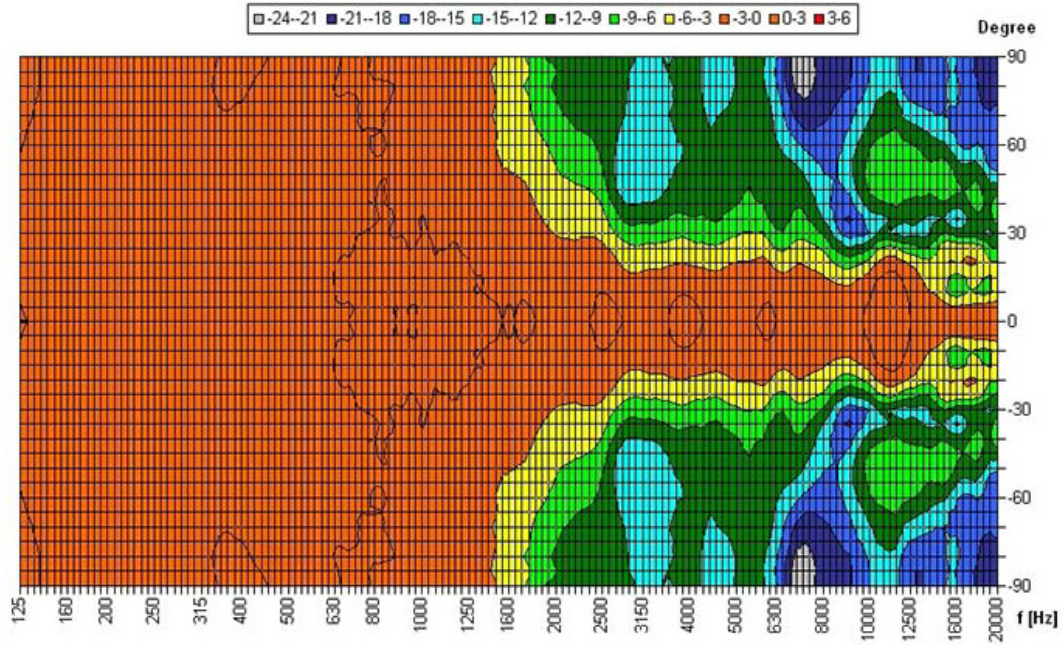
RoHS compliant (2011/65/EU)

The IP rating specified is based on VELOX test results, not on CNBOP-PIB test results. Certification only verifies the minimum requirements for EN54-24 compliance.

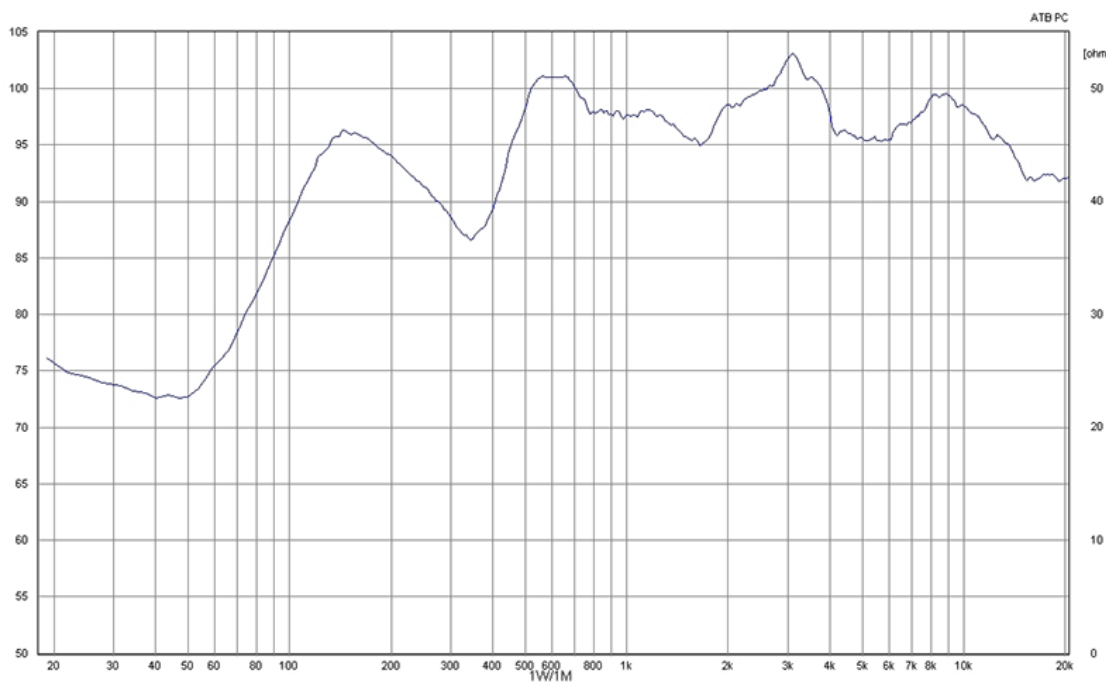


EN 54-24:2008
Ref. Nr.: 018-15
ID-Code: SAA-LS18
xxx-CPR-xxxx

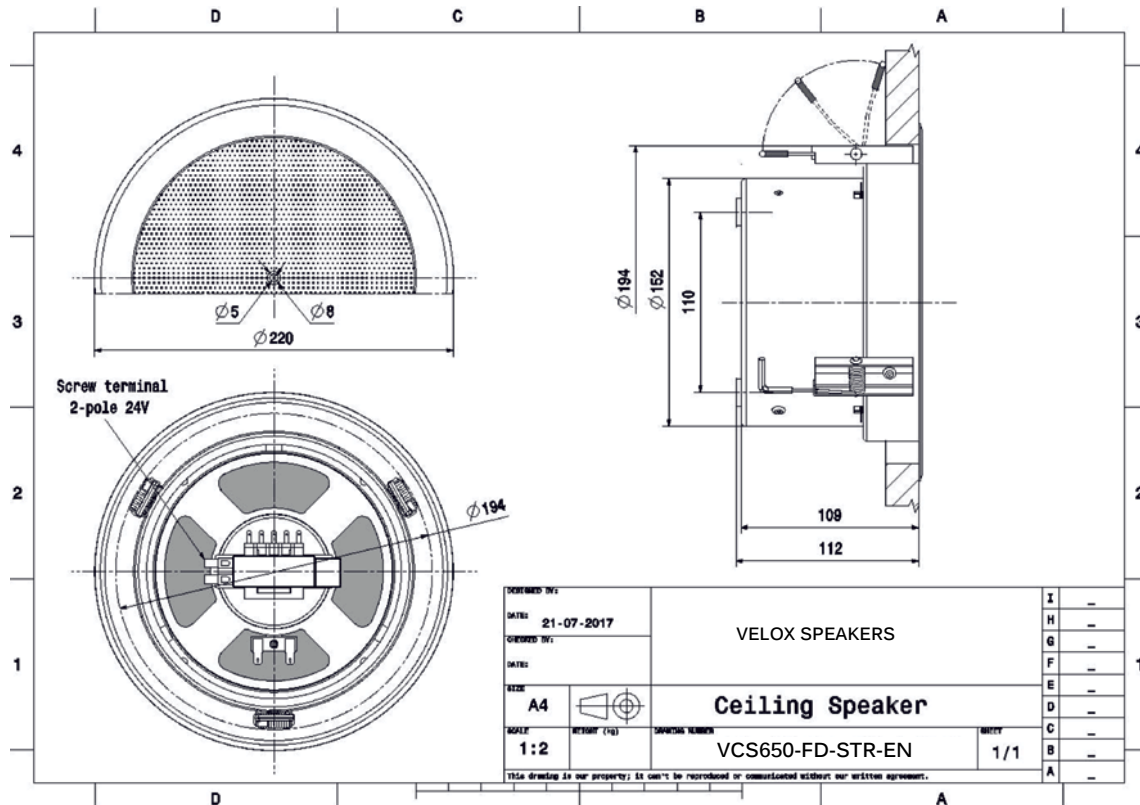
Polar Diagrams



Frequency Response Diagrams



Technical Diagrams



Technical Data (Electrical)

Feature	Description
Power	6/3/1,5 W
Light intensity	14 cd
Frequency Range	404 - 10.100 Hz
Frequency Response	80 - 24.000 Hz
SPL IEC268-5 , 1W/1m	93,0 dB
SPL EN54-24, Pmax/4m	89,0 dB
Sensitivity EN54-24, 1W/4m	81,0 dB
Dispersion -6dB, 500Hz	h/v 180°
Dispersion -6dB, 1KHz	h/v 175°
Dispersion -6dB, 2KHz	h/v 100°
Dispersion -6dB, 4KHz	h/v 50°

Please note: Because of many different types of ceiling materials and ceiling strengths we recommend to build in a sample of the speaker to match the requirements accurately.

Technical Data (Mechanical)

Feature	Description
Dimensions	220x109 mm
IP Rating	IP21
Weight (net)	1,37 kg
Ceiling Cut-out	198 mm
Temperature range	-10 / +55 C°
Mounting	Quick fit mounting
Connector	2-pin ceramic block
Terminal diameter	3,2 mm
Maximum cable cross section	8mm ²
Colour	RAL 9010

Order code

Part No.	Description
VELOX VCS650-FD-STR-EN	6.5" Ceiling speaker, 6 watts, RAL 9016, metal, certified EN 54-24, BS 5839 compliant, IP21C, with Fire Dome & Strobe