

## VELOX VCS650-FL-10-EN

6.5" Ceiling speaker, Frameless 10 watts, certified EN 54-24, BS 5839 compliant, IP21C.



### Description

Inspired by the look of contemporary LED lights, the frameless design of the new 10W loudspeakers has all the makings of an instant classic. The 10W powered speaker is equipped with a 165mm full-range loudspeaker and a 100V transformer with 3 power adjustments. The powder-coated metal housing in RAL 9016 guarantees long-term stability. For additional reliability, the speaker is impregnated against wetness.

The speaker is also secured with protection class IP 21C against the security risks of environmental influences. Fast and easy installation through WAGO 221 connector and strong spring clamps with protective caps for vibration damping. Alternatively, the loudspeaker can also be mounted using a threaded rod. The connecting cables can be supplied by rubber grommets in the fire dome.

Special paint of the speaker in 4-digit RAL or NCS colour available at extra cost. The fire dome is included in the delivery.

This speaker is suitable for a ceiling strength of approx. 1-45 mm. Our specification is primarily related to solid ceilings. An increase in the ceiling depth could be necessary for ceilings with softer materials. Stronger cables and other fittings may also result in changes to the general setup. With regard to the variety of materials and manufacturers, we recommend installing a speaker sample in the ceiling first to define the exact requirements.

- frameless design
- also suitable for very thin ceilings
- WAGO connector 221

### Standard & Approvals

VELOX loudspeakers are tested and classified according to the IEC standard 60529 (degree of protection by enclosure) against the penetration of foreign objects and moisture.

The classification is conforming to standards through characterization with a fixed code. This code consists of the letters IP (International Protection) followed by two digits.

The first digit indicates the degree of protection against dust and the second digit the degree of protection against water. Please note that the testing of the products has been carried out in laboratory conditions which are not always 100% comparable with the conditions of different installation environments. This protection can be reduced due to normal wear and tear depending on the installation environment.

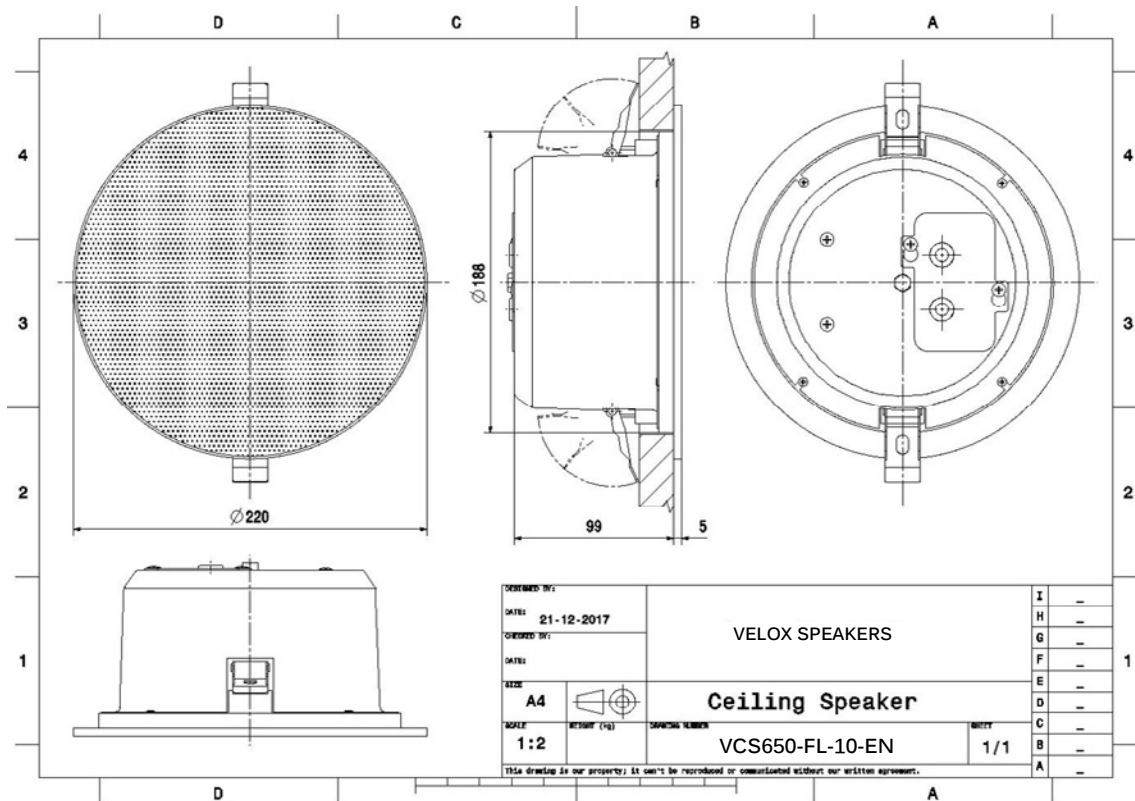
RoHS compliant (2011/65/EU)

The IP rating specified is based on VELOX test results, not on CNBOP-PIB test results. Certification only verifies the minimum requirements for EN54-24 compliance.



EN 54-24:2008  
Ref. Nr.: 018-15  
ID-Code: SAA-LS18  
xxx-CPR-xxxx

## Technical Diagrams



## Technical Data (Electrical)

Feature	Description
Power	10/5/2,5W
Impedance (100V)	1000/2000/4000 ohm
Frequency Range	63 -16.000 Hz
Frequency Response	56 - 18.000 Hz
SPL IEC268-5 , 1W/1m	92,0 dB
SPL EN54-24, Pmax/4m	89,0 dB
Sensitivity EN54-24, 1W/4m	81,4 dB
Dispersion -6dB, 500Hz	180°
Dispersion -6dB, 1KHz	175°
Dispersion -6dB, 2KHz	150°
Dispersion -6dB, 4KHz	94°

**Technical Data (Mechanical)**

Feature	Description
Dimensions	220x104mm
IP Rating	IP21
Weight (net)	1,1 kg
Ceiling Cut-out	194 - 202 mm
Temperature range	-10 / +55 C°
Mounting	Quick fit mounting
Connector	WAGO 221 connector
Terminal diameter	2,3 mm
Maximum cable cross section	4mm <sup>2</sup>
Colour	RAL 9016

**Order code**

Part No.	Description
VELOX VCS650-FL-10-EN	6.5" Ceiling speaker, Frameless 10 watts, RAL 9016, metal, with firedome and WAGO-connector 221 certified EN 54-24, BS 5839 compliant, IP21C,