



VELOX VPS20-EN

20W Sound Projector Speaker



Description

The 20W Sound Projector Loudspeaker is equipped with a 130mm full-range loudspeaker and a 100V line transformer with 4 power adjustments. A robust ABS plastic housing in white and a solid aluminium mounting bracket ensures the permanent installation of this speaker.

For additional reliability, a 2 pin-ceramic block and a thermal fuse are provided in a junction box and the speaker chassis is impregnated against wetness.

The speaker is compliant with the British Standard BS 5839, Part 8.

Optionally available is a mast bracket (MB) for 90 up to 200mm mast diameter.

- Quick mounting
- High impact ABS plastic
- BS 5839



Made for VELOX in Germany

Standard & Approvals

VELOX loudspeakers are tested and classified according to the IEC standard 60529 (degree of protection by enclosure) against the penetration of foreign objects and moisture.

The classification is conforming to standards through characterization with a fixed code. This code consists of the letters IP (International Protection) followed by two digits.

The first digit indicates the degree of protection against dust and the second digit the degree of protection against water. Please note that the testing of the products has been carried out in laboratory conditions which are not always 100% comparable with the conditions of different installation environments. This protection can be reduced due to normal wear and tear depending on the installation environment.

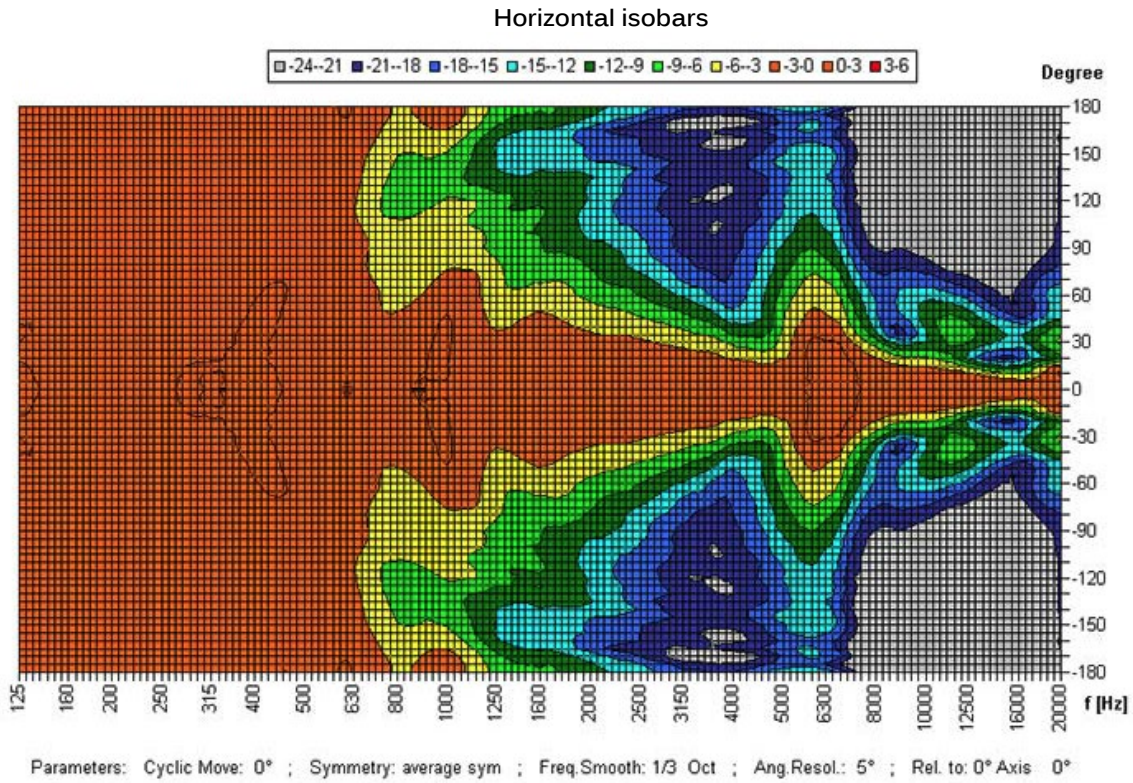
RoHS compliant (2011/65/EU)

The IP rating specified is based on VELOX test results, not on CNBOP-PIB test results. Certification only verifies the minimum requirements for EN54-24 compliance.

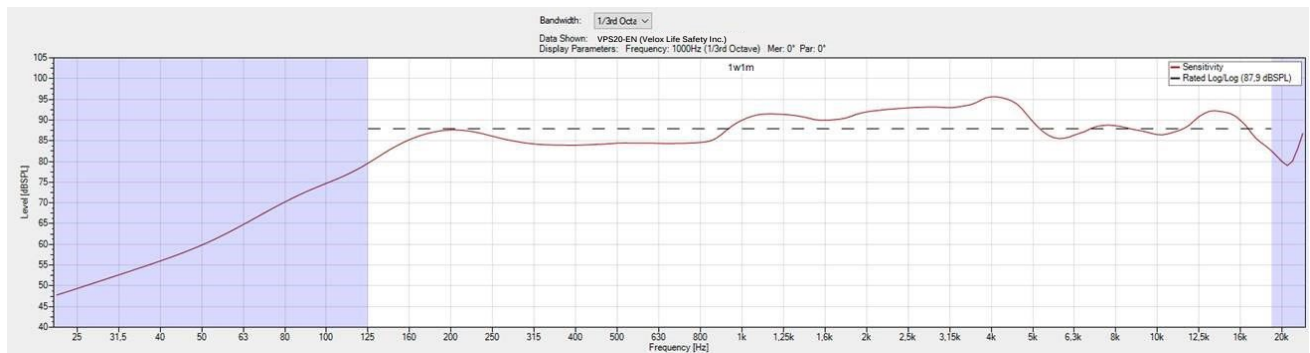


EN 54-24:2008
Ref. Nr.: 020-14
ID-Code: SAA-LS18
xxx-CPR-xxxx

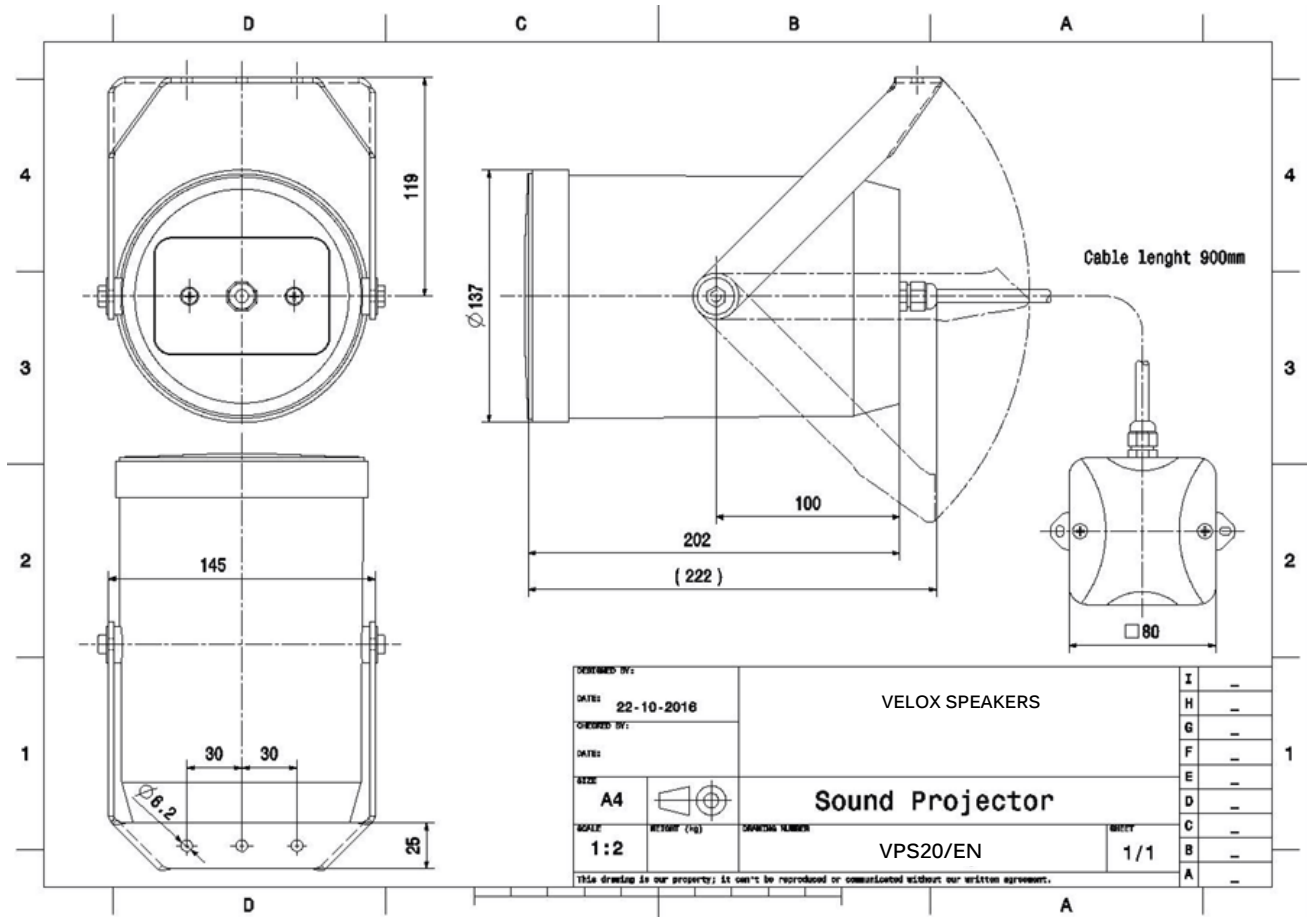
Polar Diagrams



Frequency Response Diagrams



Technical Diagrams



Technical Data (Electrical)

Feature	Description
Power	20/10/5/2,5 W
Impedance (100V)	500/1000/2000/4000 ohm
Frequency Range	150 - 20.000 Hz
Frequency Response	120 - 21.000 Hz
SPL 1W/1m, peak	99,5 dB
SPL , 1W/4m, peak	87,5 dB
SPL Pmax/4m, peak	100,5 dB
SPL, rated noise power / 4m	89,0 dB
Sensitivity EN54-24, 1W/4m	75,0 dB
Sensitivity EN54-24, 1W/1m	87,0 dB

Technical Data (Electrical)

Feature	Description
Dispersion -6dB, 500Hz	360°
Dispersion -6dB, 1KHz	230°
Dispersion -6dB, 2KHz	110°
Dispersion -6dB, 4KHz	58°

Technical Data (Mechanical)

Feature	Description
Dimensions	137 x 222mm
IP Rating	IP66
Weight (net)	1,44kg
Temperature range	-25 / +70 C°
Mounting	Mounting bracket
Connector	2-pin ceramic block
Maximum cable cross section	8mm ²
Max. cable cross section loop	2x2mm ²
Colour	white

Order code

Part No.	Description
VPS20-EN	20W Sound Projector Speaker, certified EN 54-24, BS 5839 compliant

As our policy is one of constant product improvement the right is therefore reserved to modify product specifications without prior notice
Ref. VPS20-EN/SP/R1/V1.1/310521

ATEİS Middle East FZCO.

LIU No.11 Dubai Silicon Oasis
P.O. Box 293640 Dubai United Arab Emirates.
Tel. +971 (4) 3262730 - Fax. +971 (4) 3262731
info@ateis.ae, www.ateis.ae, www.velox.ae